

DynaHawk™ RB Series

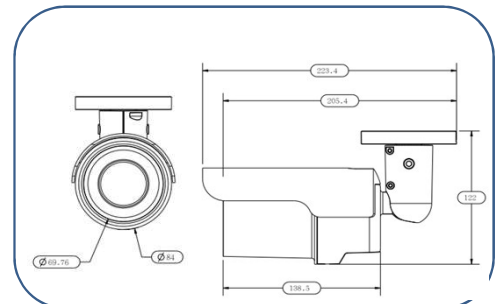
H.265 Prime HDR Compact Bullet IP Camera



Key Features

- Multiple Progressive Scan CMOS Sensor Support 4M Resolution
- Multi-exposure HDR*
- Low Latency Streaming
- Low Power Consumption on Encoding
- Quad codec support (H.265 / H.264 / Main Profile / High Profile / MJPEG)
- Quad Streams Support
- Tampering Alarm
- Motion Detection
- Text Overlay and Privacy Masks
- 3D Motion Compensated Noise Reduction (MCTF)
- Network Failure Detection
- True Day/Night Function (ICR)
- IR LED Module support (working distance up to 40m) *
- BNC Analog Output
- Weatherproof (IP66)
- 64GB SDXC SD Card support
- ONVIF Profile S Support
- ONVIF Profile G Support
- Vandal Resistant (IK10)

Dimensions (mm)



Accessories (Optional)



DynaHawk™ RB Series - H.265 Prime HDR Compact Bullet IP Camera

Camera		R3V6-B	
Image Sensor		1/3" Progressive CMOS	
Effective Pixels		4M (2688x1520)	
Minimum Illumination	Color	TBD	
	B/W	TBD	
Shutter Speed		1 ~ 1/10000 sec.	
Lens			
Lens	Motorized	Auto Focus(3X)	
Focal Length	3-9 mm	3-9 mm	
F Number	F1.7	F1.3	
FOV	TBD	TBD	
Operation			
Multiple Languages	English / French / German / Italian / Japanese / Korean / Portuguese / Russian / Simplified Chinese / Spanish / Traditional Chinese		
Image Setting	Iris Control	DC Iris / P-iris	
	Backlight Compensation	On / Off	
	White Balance	Auto / Manual / ATW / One Push	
	Noise Reduction	3D / 2D / Color	
	Wide Dynamic Range	Low / Middle / High / Off (w/ Motion Compensation)	
	Privacy Mask	Shutter WDR On / Off (120 dB)	
	Brightness	On / Off	
	Exposure	Manual	
	Sharpness	Auto / Manual	
	Contrast	Manual	
	Saturation	Manual	
	Hue	Manual	
	Digital Zoom	Support	
	Privacy Mask	On / Off	
Event Setting	ICR	Auto / Day / Night	
	ICR + IR LED*	Auto / LED On / LED Off / Light Sensor / Day / Night	
	Day/Night Threshold	Support	
	Motion Detection	By Schedule / On / Off	
	Tampering Alarm	By Schedule / On / Off	
	Network Failure Detection	By Schedule / On / Off	
	Audio Detection	On / Off	
Audio	Two-way Audio	Line In / Line Out	
	Compression	G.711 / G.726 / AAC / LPCM	
Network			
Interface	RJ-45, 10/100Mbps Ethernet		
Video Compression	H.265 / MJPEG / H.264 (MPEG-4 Part 10/AVC) Baseline / Main Profile / High Profile		
Video Streaming	Single Stream	Normal Mode	4M (2688x1512)@ 25/30fps
		HDR Mode	4M (2688x1512)@ 25/30fps
	Dual Streams	Normal Mode	4M (2688x1512)@ 25/30fps + 800x600 @25/30fps
		HDR Mode	4M (2688x1512)@ 25/30fps + 800x600 @25/30fps
Video Resolution	H.265	4M / 3M / Full HD 1080P / SXGA / HD 720P / XGA / SVGA / D1 / VGA / CIF	
	H.264	4M / 3M / Full HD 1080P / SXGA / HD 720P / XGA / SVGA / D1 / VGA / CIF	
	MJPEG	Full HD 1080P / SXGA / HD 720P / XGA / SVGA / D1 / VGA / CIF	
Protocol	IPv4/v6, TCP/IP, UDP, RTP, RTSP, HTTP, HTTPS, ICMP, FTP, SMTP, DHCP, PPPoE, UPnP, IGMP, SNMP, QoS, ONVIF		
Security	HTTPS / IP Filter / IEEE 802.1X		
Alarm	Input	2 Set 5V 10kΩ pull up	
	Output	1 Set Photo Relay Output 300V DC/AC	
Audio	Input	Line In Max 6.2 Vpp for line signal Input impedance: 33KΩ	
	Microphone in	Max 1 Vpp for microphone Input impedance: 33KΩ	
Event Notification	HTTP / FTP / SMTP		
SD	SDXC 64GB support		
Supported Web Browser	Internet Explorer (7.0+) / Firefox / Safari		
User Account	20		
Password Levels	User and Administrator		
Mechanical			
Built-in IR Illuminator*	Working Distance	up to 40 m	
	Wavelength	850 nm	
	Number of LEDs	8	
LED Indicator	Power / ACT		
Connectors	Alarm	5 Pin Terminal Block	
	Power	2 Pin Terminal Block	
	Ethernet	RJ-45	
	Analog Video	1.0 Vp-p / 75 Ω, BNC	
	Audio	Line In/Line Out 3.5mm jack for mic/line Tip : signal/ bias, Ring : signal/ bias, Sleeve : ground	
RS-485	D+, D-		
General			
Start-Up Temperature	w/o heater: -20°C (-4°F) w/ heater: -55°C (-67°F)		
Operating Temperature	-30°C ~ 55°C (-22° ~ 131°F) w/Heater, powered by DC12V/AC24V/PoE: -55°C ~ 55°C (-67° ~ 131° F)		
Humidity	10% ~ 90%, No Condensation		
Weatherproof Standard*	IP66		
Dimension	Ø 90 x 232 mm (Ø 3.54 x9.1 in.)		
Weight	790 g (1.74 lb)		
Power Source	DC 12V / AC 24V / PoE (802.3af)		
Power Consumption	Operation (802.3af) System	TBD	
	Operation (802.3af) Others	TBD	
	Cold start (802.3af) Heater	TBD	
Regulatory	CE / FCC		

* mark for optional items

Product specification and availability are subject to change without notice.



DYNACOLOR, INC.
 No. 116, Jou Tz Street, Neihu, Taipei 114, Taiwan
 TEL: (886)2-2659-8898 FAX: (886)2-2659-8868
<http://www.dynacolor.com.tw> info@dynacolor.com.tw