

ULTRA HIGH DEFINITION H.265 8MP IP BULLET CAMERA

VP-NC9438B-AZ1IR2T1 IR NIGHT VISION MOTORIZED VARIFOCAL CAMERA



FEATURES

- Ultra High Definition 8MP (3840 x 2160) resolution
- H.265 video compression technology with real time encoding
- Inbuilt high intensity Smart IR LEDs with intensity control
- Inbuilt True DWDR, 3D DNR, HLC & BLC functions
- Support triple streams
- IP66 Weather proof outdoor enclosure



TECHNICAL SPECIFICATIONS

VP-NC9438B-AZ1IR2T1

Camera	Image sensor	1/2.5" Progressive Scan CMOS Sensor
	Signal System	PAL/NTSC
	Effective Pixels	3840 (H) x 2160 (V)
	Minimum Illumination	Color : 0.01 lux @F1.2, AGC ON; 0 Lux at IR on
	Electronic Shutter Speed	1 / 25 s ~ 1 / 100000 s
	Gain Control	Auto
	White Balance	Auto
	Signal to Noise	> 52 dB
	Iris	Fixed
Lens	Lens Type	3.3mm to 12mm Motorized Lens
	Lens Mount	Φ14
	Focus	Auto
	Zoom	Manual optical Motorized zoom
Day/Night Functionality	Day & Night	True Day & Night with ICR
	IR Cut	High performance Mechanical IR Cut Filter with auto switch
	IR Source	Inbuilt high intensity Smart IR LEDs with intensity control
	IR Range	40 Mtr.
	IR Life	40000 Operation Hours
Compression	Video compression	H.265,H.264,MJPEG
	H.265 codec profile	Main profile
	Video Bit Rate	128 Kbps ~ 16 Mbps
	Audio Compression	G711A / U
Resolution and Frame Rate	Max. Resolution	3840 x 2160
	Main Stream	50Hz: 25fps (3840 x 2160), 25fps (2560 x1440), 25fps (2304 x 1296), 25fps (1920 x 1080), 25fps (1280 x 720) 60Hz: 30fps (3840 x 2160), 30fps (2560 x1440), 30fps (2304 x 1296), 30fps (1920 x 1080), 30fps (1280 x 720)
Operational Features	Wide Dynamic Range (WDR)	DWDR
	Backlight compensation	Yes, zone configurable
	DNR	Inbuilt 3D DNR (Digital Noise Reduction) circuit
	Codec streaming capability	Triple streaming
	HLC	Supported
	Image settings	ROI, Saturation, Brightness, Chroma, Contrast, Wide Dynamic, Sharpen, NR,etc. adjustable through client software or web browser
	Security	User Authentication
	Onboard Storage	Built-in Micro SD / SDHC / SDXC card slot, up to 128 GB
	Alarm trigger	Motion alarm, Sensor alarm
Network & Remote Monitoring	Protocols	TCP / IP, UDP, DHCP, NTP, RTSP, PPPoE, DDNS, SMTP, FTP
	System compatibility	ONVIF
	CMS	Full function CMS (Central monitoring software)
	Mobile Client Application	Supports android and iOS APP for Smart phone and tablets
	Bandwidth control	VBR (Automatic) and CBR (Manual) supported
	Network storage	NVR/CMS
Interface	Ethernet	1 RJ45 10/100 Ethernet port
	Power Input	Standard DC Jack
	Audio	MIC IN x 1, MIC OUT x 1
	Alarm Input/Output	1/1
	Video Output	CVBS video output (BNC x 1)
	RS485	Supported
Analytics Feature	Smart Features (optional)	Object removal, line crossing detection & intrusion detection, etc.
Electrical	Power Requirement (±10%)	12 VDC ± 10% , PoE (802.3af)
	Power Consumption	< 9W

TECHNICAL SPECIFICATIONS

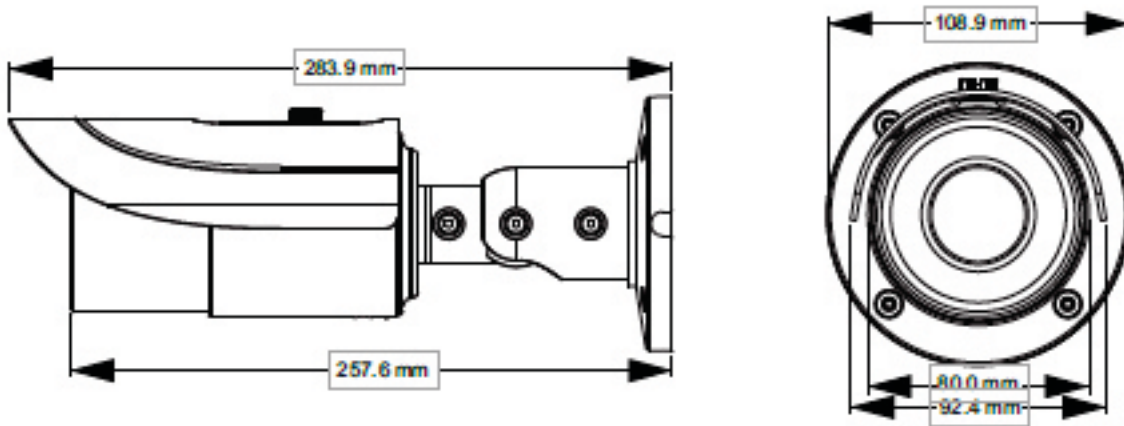
VP-NC9438B-AZ1IR2T1

Environmental	Enclosure	IP 66 Weather proof outdoor enclosure
	Mounting bracket	Integrated mounting bracket with cable management
	Operating Temperature	-20°C to + 50°C
	Operating Humidity	90% or less (non-condensing)
Mechanical	Color	White
	Dimensions	Φ109 × 284mm
	Weight	1112g
Certifications	Certifications	UL, CE, FCC, RoHS

*Exact products and specifications shown may vary by geographic region and are subject to change without notice. Product image, weights and measurements are approximate and may vary.

DIMENSIONS

Unit: mm



VANTAGE INTEGRATED SECURITY SOLUTIONS LIMITED

B3, Bredon House 321, Tenttenhall Road Tettenhall, Wolverhampton

West Midlands, WV6 0JZ United Kingdom

Ph: +44-1902793383, Email: sales@vantagesecurity.com

www.vantagesecurity.com

(AN ISO 9001 : 2008, ISO14001 : 2004 CERTIFIED COMPANY)

